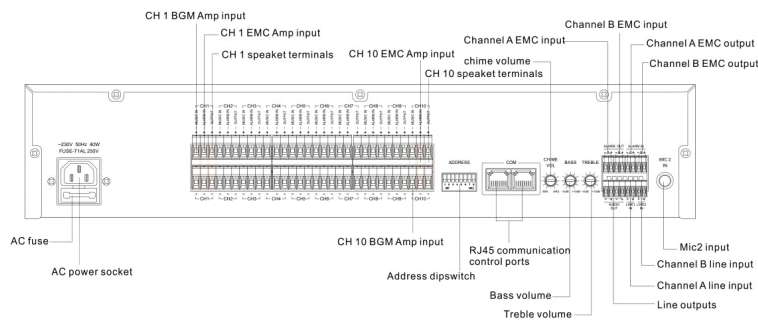




# 10 Zone Paging Controller with Speaker Selector T-6212(A)



## Description:

1. Equipment with paging management and power management.
2. It is suitable for small broadcasting system which needs paging, music playing and alarm.

## Features:

- \*Standard cabinet design (2U), black aluminum oxide brushed panel, exquisite craftsmanship and high-end temperament.
- \* Built-in 10 zone selector and paging selector, which can be expanded to 300 zones. Each zone power capacity is 500W, and the total ten zones capacity is 5000W.
- \* With memory function when power off, it can realize the restoration after electricity is turn on.
- \* 10 groups of background music power amplifiers and 10 groups of alarm signal power amplifier input interfaces can realize the access of multiple power amplifiers (1 to 10).
- \* Two-color zones status indicators accurately indicate music, paging or alarm status.
- \* Music zone play control function to realize music playback in any zone.
- \* Local and ultra remote (1km) zone paging function.
- \* Built-in pre-amplifier with two-level priority function, with two microphone inputs and two line inputs.
- \* Built in 4-scale bell tone.

## Specifications:

Model	T-6212(A)
Power Supply	~220V 50Hz
Power Consumption	35W
Communication Protocol	RS-422
Communication Interface	RJ45
Communication Rate	4800bps
Dimensions	484×303×88mm
Weight	5.04Kg